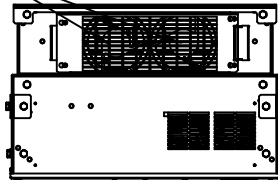
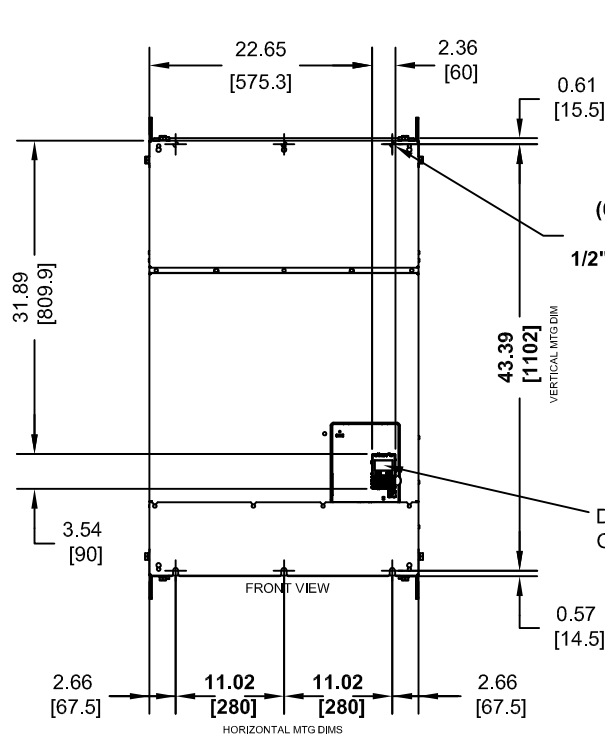


(2) EXTERNAL COOLING FANS



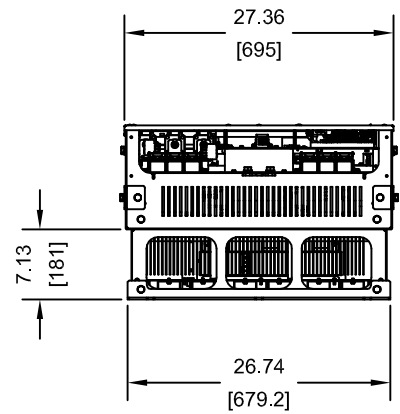
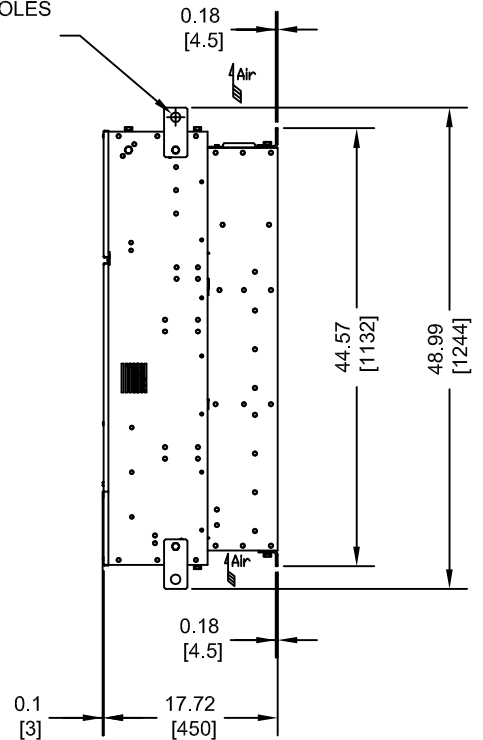
**LIFTING NOTES:**  
 1. SPREADER BAR REQUIRED TO AVOID DAMAGE DURING LIFTING.  
 2. FOUR (4) LIFTING BRACKETS NEEDED ON TOP SIDE FOR VERTICAL LIFTING. REFER TO MANUAL FOR DETAILS.



(6)-MOUNTING HOLES FOR 1/2" [M12] SCREWS

DIGITAL OPERATOR

(4)-LIFTING HOLES Ø0.98 [Ø25]



MODEL # CIMR-UW	VOLTAGE 3-PHASE (VAC)	OUTPUT CURRENT (A)	WEIGHT LBS (Kg)	HEAT LOSS (W) (Fc=4kHz)		
				INT	EXT	TOT
4□0302□□	380/500	302	560 (259)	857	5202	6059
4□0361□□		361	560 (259)	863	5434	6297
4□0414□□		414	560 (259)	1012	6444	7456

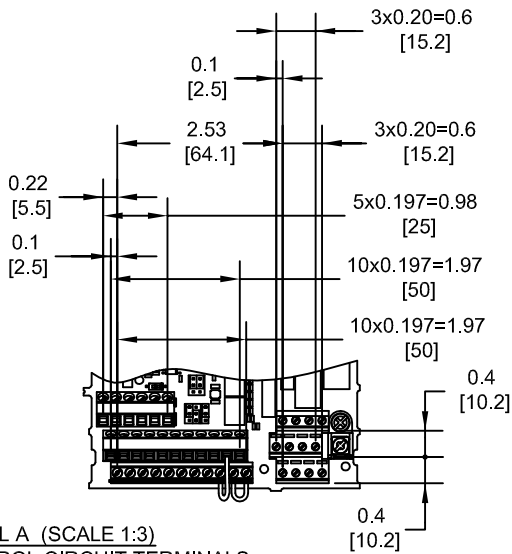
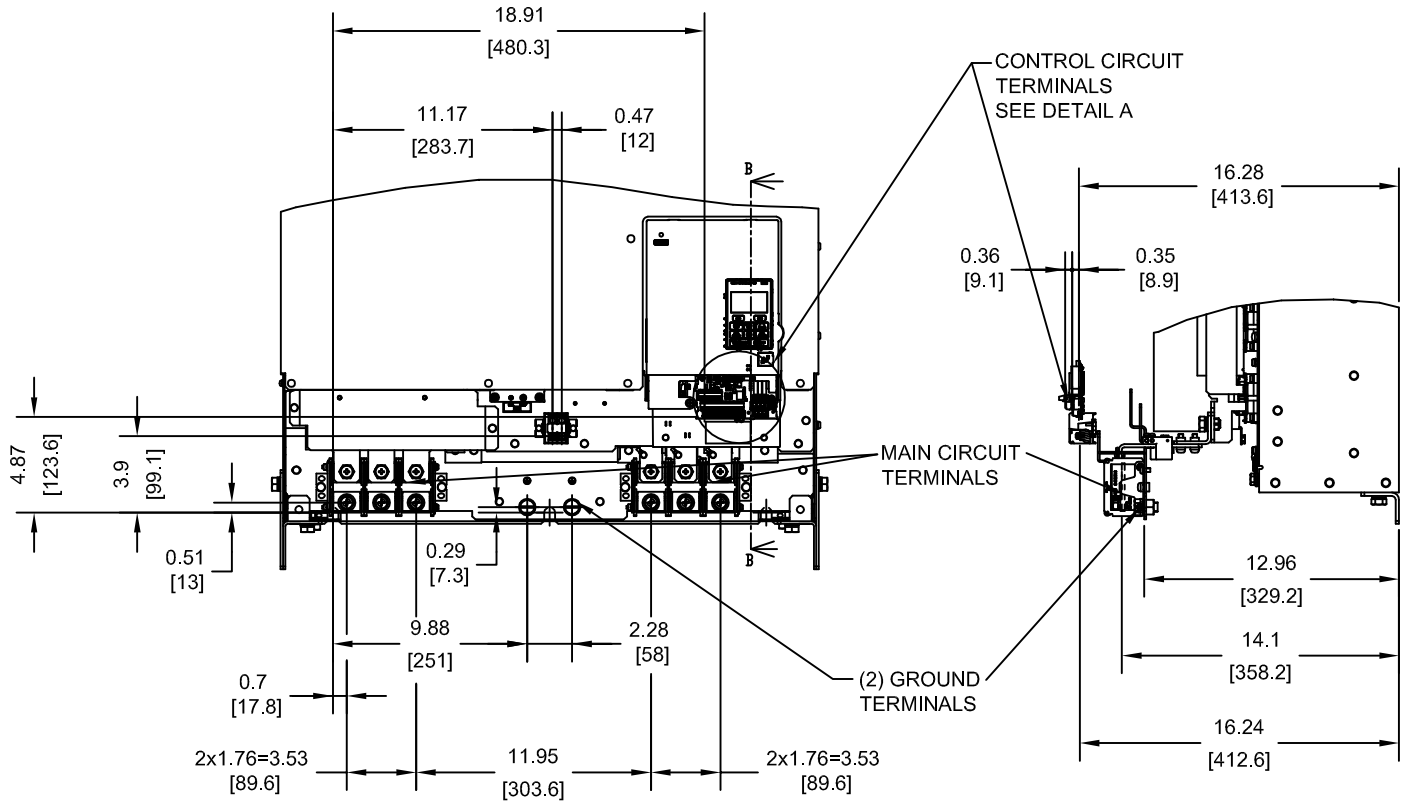
NOTES:  
 □ DENOTES A-Z  
 □□ DENOTES AAA-ZZZ  
 INT=INTERNAL COMPONENTS  
 EXT=EXTERNAL HEATSINK  
 TOT=TOTAL

FOR ADDITIONAL DETAILS AND SPECIFICATIONS, CONSULT MANUAL

TOLERANCES / REFERENCES:		<b>YASKAWA</b>	DRAWN: J. MATTAS	DATE 9-22-16	TITLE: U1000 iQpump DIMENSION DRAWING FRAME SIZE 5 IP00 ENCLOSURE		
			CHECKED: J. PIOTROWSKI	DATE 9-29-16	4□0302, 4□0361 AND 4□0414		
		THIS DOCUMENT AND INFORMATION CONTAINED IN IT ARE CONFIDENTIAL, AND CANNOT BE COPIED OR DISCLOSED IN WHOLE OR IN PART WITHOUT THE EXPRESS WRITTEN CONSENT OF YASKAWA AMERICA, INC.	TECH: J. BORJA	DATE 10-3-16	SIZE A	REVISION R00	PAGE 1 of 4
UNITS: IN[mm]	SCALE: 1:20		APPROVED: J. CAIRO	DATE 10-20-16	DRAWING #: <b>DD.UW1K.FR5.IP00</b>		
		ORIGINAL DESIGN: -	DATE -				

# TERMINAL AND WIRING INFORMATION FOR: UW4 □0302 AND UW4 □0361

TERMINAL AND WIRING DETAILS (SCALE 1:10)

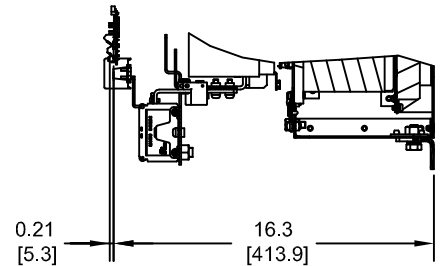


DETAIL A (SCALE 1:3)  
CONTROL CIRCUIT TERMINALS

### TERMINAL AND WIRE SPECIFICATIONS FOR MAIN CIRCUIT AND GROUND

MODEL # CIMR-UW	TERMINAL SYMBOL	TERMINAL SCREW	CLAMPING TORQUE lb.in.(N.m.)	WIRE RANGE AWG(mm <sup>2</sup> )
4□0302 4□0361	R/L1, S/L2, T/L3	M10	133 TO 177 (15 TO 20)	(2)10 TO 4/0 (6 TO 95)
	U/T1, V/T2, W/T3			
	p1, n1	M4	10.6 TO 17.7 (1.2 TO 2.0)	14 TO 12 (2.5 TO 4)
	⊕	M12	278 TO 347 (31.4 TO 39.2)	1 TO 300 (35 TO 150)

NOTE: REFER TO APPLICABLE CODES FOR PROPER WIRE TYPE AND SIZE



SECTION B-B

TOLERANCES / REFERENCES:

# YASKAWA

THIS DOCUMENT AND INFORMATION CONTAINED  
IN IT ARE CONFIDENTIAL, AND CANNOT BE  
COPIED OR DISCLOSED IN WHOLE OR IN PART  
WITHOUT THE EXPRESS WRITTEN CONSENT  
OF YASKAWA AMERICA, INC.

DRAWN:  
J. MATTAS

DATE  
9-22-16

CHECKED:  
J. PIOTROWSKI

DATE  
9-29-16

TECH:  
J. BORJA

DATE  
10-3-16

APPROVED:  
J. CAIRO

DATE  
10-20-16

ORIGINAL DESIGN:  
-

DATE  
-

TITLE:  
U1000 iQpump DIMENSION DRAWING  
FRAME SIZE 5  
IP00 ENCLOSURE  
4□0302, 4□0361 AND 4□0414

SIZE A	REVISION R00	PAGE 2 of 4
-----------	-----------------	----------------

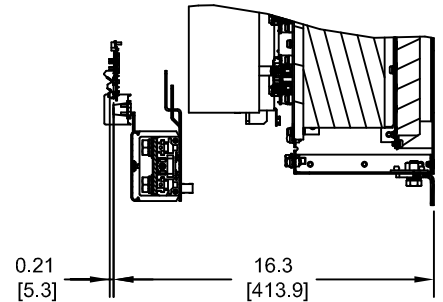
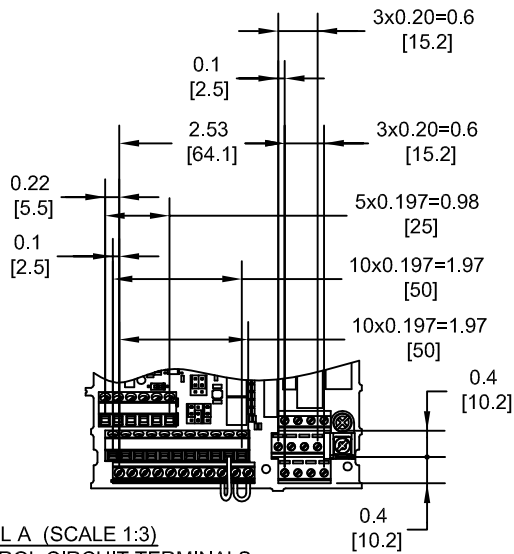
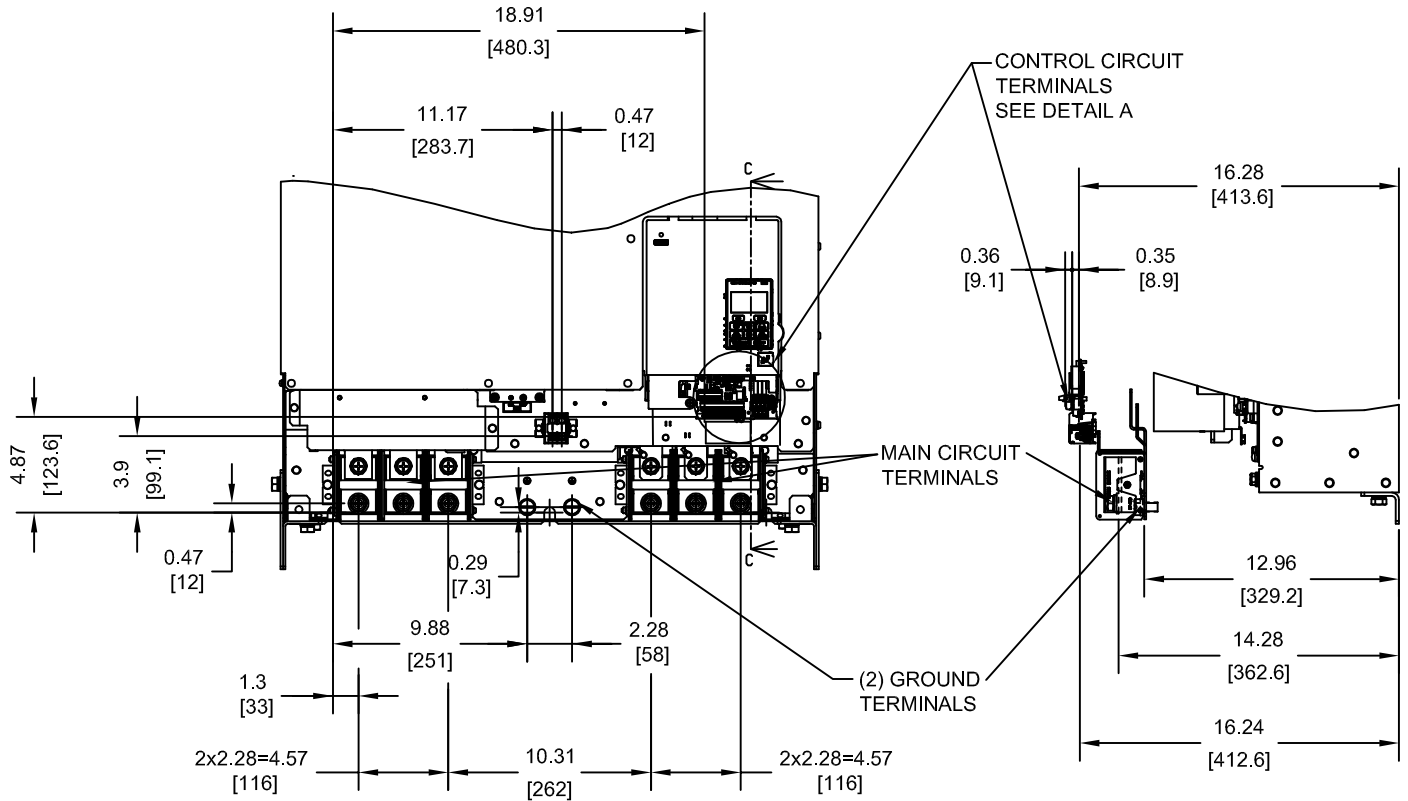
DRAWING #:  
**DD.UW1K.FR5.IP00**

UNITS:  
IN[mm]

SCALE:  
BY VIEW

# TERMINAL AND WIRING INFORMATION FOR: UW4 □0414

TERMINAL AND WIRING DETAILS (SCALE 1:10)



## TERMINAL AND WIRE SPECIFICATIONS FOR MAIN CIRCUIT AND GROUND

MODEL # CIMR-UW	TERMINAL SYMBOL	TERMINAL SCREW	CLAMPING TORQUE lb.in.(N.m.)	WIRE RANGE AWG(mm <sup>2</sup> )
4□0414	R/L1, S/L2, T/L3	M12	221 TO 310 (25 TO 35)	(2)8 TO 300kcmil (10 TO 150)
	U/T1, V/T2, W/T3			
	p1, n1	M4	10.6 TO 17.7 (1.2 TO 2.0)	14 TO 12 (2.5 TO 4)
	⊕	M12	278 TO 347 (31.4 TO 39.2)	1/0 TO 450 (50 TO 240)

NOTE: REFER TO APPLICABLE CODES FOR PROPER WIRE TYPE AND SIZE

TOLERANCES / REFERENCES:

# YASKAWA

THIS DOCUMENT AND INFORMATION CONTAINED IN IT ARE CONFIDENTIAL, AND CANNOT BE COPIED OR DISCLOSED IN WHOLE OR IN PART WITHOUT THE EXPRESS WRITTEN CONSENT OF YASKAWA AMERICA, INC.

DRAWN:  
J. MATTAS

DATE  
9-22-16

TITLE:  
U1000 iQpump DIMENSION DRAWING

CHECKED:  
J. PIOTROWSKI

DATE  
9-29-16

FRAME SIZE 5

TECH:  
J. BORJA

DATE  
10-3-16

IP00 ENCLOSURE

APPROVED:  
J. CAIRO

DATE  
10-20-16

4□0302, 4□0361 AND 4□0414

ORIGINAL DESIGN:

DATE  
-

SIZE  
A

REVISION  
R00

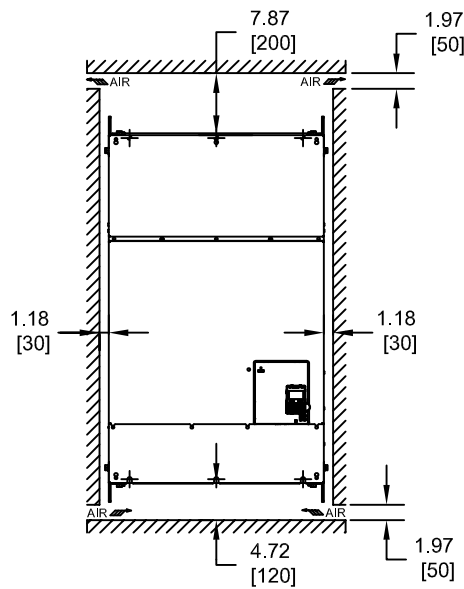
PAGE  
3 of 4

UNITS:  
IN[mm]

SCALE:  
BY VIEW

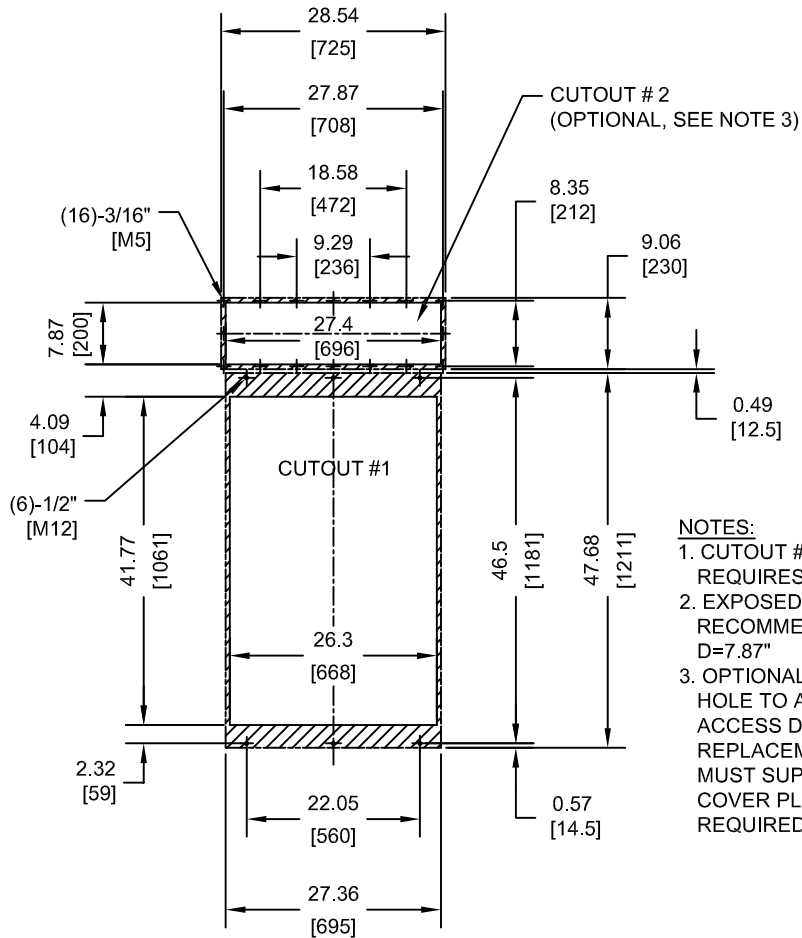
DRAWING #:  
**DD.UW1K.FR5.IP00**

MINIMUM INSTALLATION CLEARANCES (SCALE 1:25)



NOTE:  
FOR SIDE-BY-SIDE MOUNTING  
CONSULT MANUAL

PANEL CUTOUT FOR EXTERNAL HEATSINK  
MOUNTING CONFIGURATION (SCALE 1:25)



NOTES:

- CUTOUT #1: EXTERNAL HEATSINK, REQUIRES MOUNTING KIT
- EXPOSED HEATSINK RECOMMENDED CLEARANCE D=7.87"
- OPTIONAL CUTOUT #2 IS AN ACCESS HOLE TO ALLOW FOR FRONT ACCESS DURING HEATSINK COOLING FAN REPLACEMENT. THE PANEL BUILDER MUST SUPPLY THE APPROPRIATE COVER PLATE AND HARDWARE REQUIRED TO CLOSE THIS OPENING.

FOR ADDITIONAL DETAILS AND SPECIFICATIONS, CONSULT MANUAL

TOLERANCES / REFERENCES:		<b>YASKAWA</b>	DRAWN: J. MATTAS	DATE 9-22-16	TITLE: U1000 iQpump DIMENSION DRAWING
			CHECKED: J. PIOTROWSKI	DATE 9-29-16	FRAME SIZE 5
		THIS DOCUMENT AND INFORMATION CONTAINED IN IT ARE CONFIDENTIAL, AND CANNOT BE COPIED OR DISCLOSED IN WHOLE OR IN PART WITHOUT THE EXPRESS WRITTEN CONSENT OF YASKAWA AMERICA, INC.		TECH: J. BORJA	DATE 10-3-16
				APPROVED: J. CAIRO	DATE 10-20-16
UNITS: IN[mm]	SCALE: BY VIEW	ORIGINAL DESIGN: -		DATE -	DRAWING #: DD.UW1K.FR5.IP00
				SIZE A	REVISION R00
				PAGE 4 of 4	